

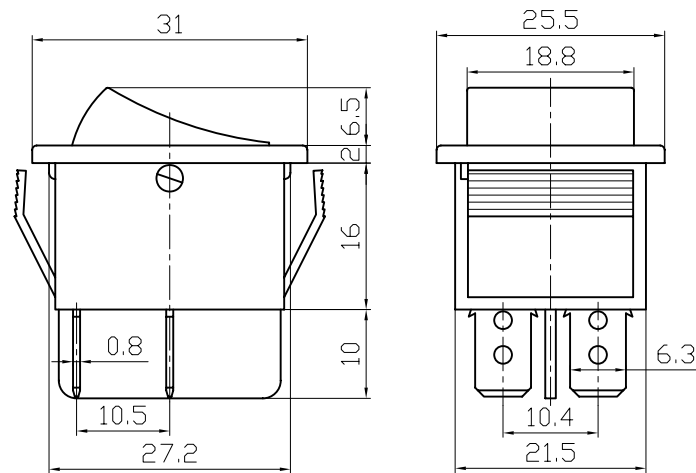
Double-poles Rocker Switch

(TYPE):RS-201-1C

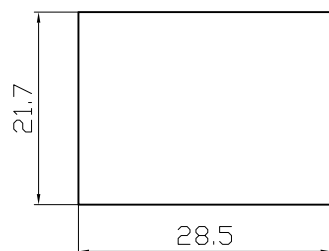
(Specification)

1. (Rating):20A 125VAC;15A 250VAC;35A 12VDC
2. (Contact R):35mΩ max
3. (Insulation R):500V DC 100MΩ min
4. (Dielectric Strength):1 Minute 1500V AC
5. (Operating Temperature):-25°C~+85°C
6. (Electrical Life):10, 000 Cycles

(Outline Drawing)



(Mounting)



(Circuitry)

